

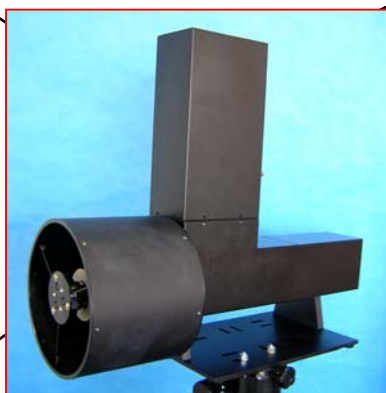
OMNI SPOTTER

COMPACT MULTI-BAND SENSOR SUITE



APPLICATIONS

- Airborne Surveillance
- Reconnaissance (FLIR)
- Precision Targeting (ATR)
- Missile Guidance
- Night Vision
- Sensor Fusion
- Law Enforcement
- Perimeter Security
- Industrial Machine Vision
- Medical Diagnostics



UNIQUE FEATURES

- Single Aperture Design
- Interchangeable Fore-optics
- Interchangeable Detection Modules:
 - VIS/NIR
 - MWIR
 - LWIR
 - Hyperspectral
 - Laser Ranger/Designator
- Diffraction Limited
- IR Zoom
- Analog and Digital Output
- Internet Ready

KEY BENEFITS

This multi-band system is easily modified to meet multi-mission requirements while reducing logistics tail by using common components across platforms. It is an ideal test-bed for sensor fusion applications using a variety of detection modules. Its single aperture design eliminates parallax and reduces radar and aerodynamic cross-section, thereby increasing platform stealth. The streaming internet video simplifies installation on fixed platforms.

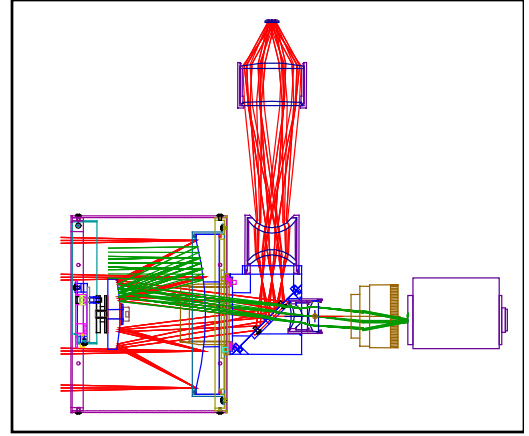
CUSTOMIZED TO MEET YOUR NEEDS

Interchangeable Modules

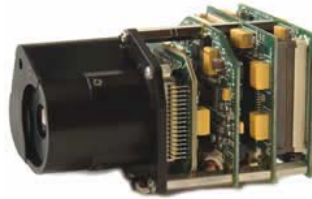


VIS/NIR

- Spectral Band: 400 -1000nm
- Array: 1280 X 1024 Pixels
- Sensitivity Range: 0.5 Lux
- Color/B&W



VIS/LWIR IMAGER



LWIR

- Uncooled Microbolometer
- Spectral Band: 7 - 14 Micron
- Array: 320 X 240 Pixels (640 X 480 Available)
- Sensitivity Range: < 50mk MRTD
- RS-170/Digital



MWIR

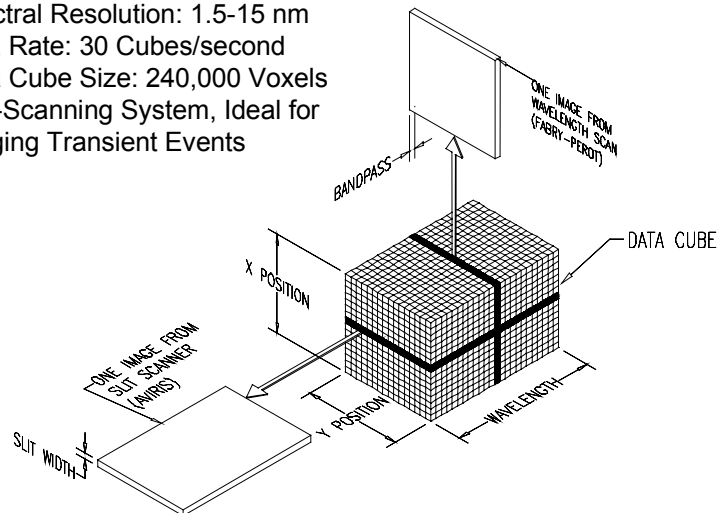
- Cryocooled Insb
- Spectral Band: 3 - 5 Micron
- Array: 320 X 256 Pixels
- Pixel Pitch: 30 X 30 μ m
- NETD: < 30mk @ f/4

Special Purpose Modules



HYPERSPECTRAL IMAGER

- Spectral Resolution: 1.5-15 nm
- Data Rate: 30 Cubes/second
- Data Cube Size: 240,000 Voxels
- Non-Scanning System, Ideal for Imaging Transient Events



LASER RANGER/ DESIGNATOR

- Eye Safe Class I
- Laser Diode: 1550 nm
- Distance Measurement: 5m to 10 Km
- Distance Resolution: 1m